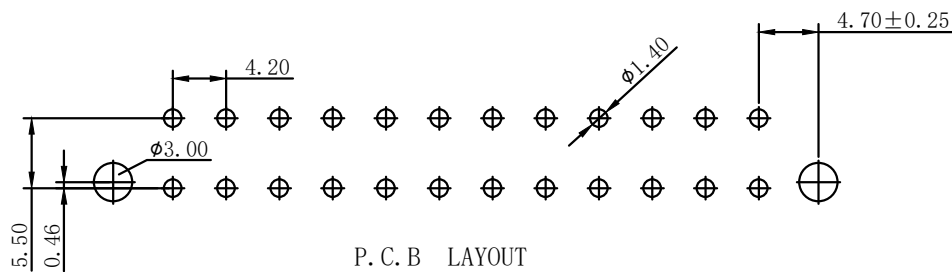
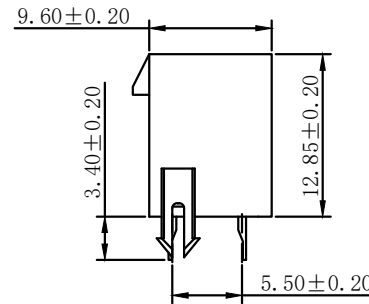
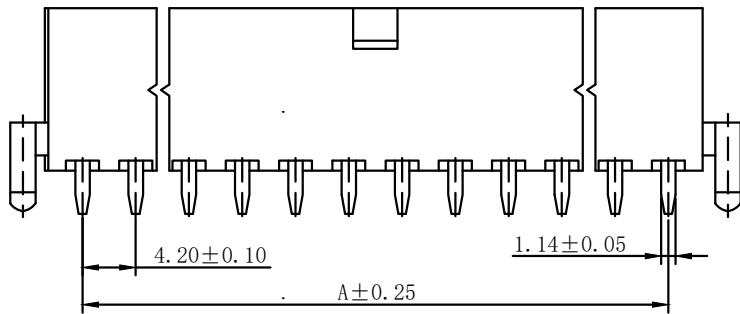
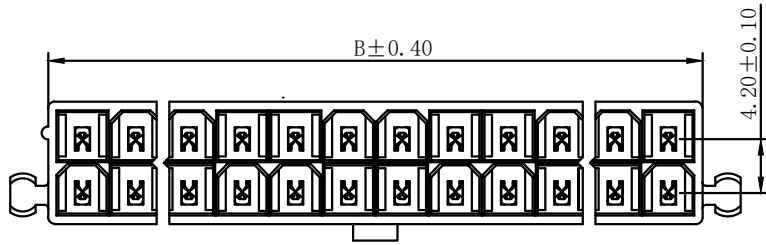


RoHS Compliant

Rev.	change details	effective date	updated by	date
A	Initial release	2020.12.19	FHY	20.12.19



■ SPECIFICATIONS

- Voltage rating: 250V AC, DC
- Current rating: 7A, AC, DC
- Withstanding Voltage: 1500V AC/minute
- Insulation resistance: 1000M Ω min
- Temperature range: -25° C ~ +85° C
- Contact resistance: 10m Ω max

■ WAFER

- Part No. :
- Poles : 02-24
- Material: Nylon 66 UL94V-2
- Pin Material: Brass /Tin-plated

PART NO.	Dimensions (mm)	
	A	B
2*01	--	5.60
2*02	4.20	9.80
2*03	8.40	14.00
2*04	12.60	18.20
2*05	16.80	22.40
2*06	21.00	26.60
2*07	25.20	30.80
2*08	29.40	35.00
2*09	33.60	39.20
2*10	37.80	43.40
2*11	42.00	47.60
2*12	46.20	51.80

UNLESS OTHERWISE STATED		ORIGINALLY BY
DIMENSIONS IN mm		DRAWN: FHY
TOLERANCE:		CHECKED: FY
ANGLEAR $\pm 1^\circ$	LINEAR	APPROVED: FY
	X 0.5	DATE: 2020.12.19
	X.X ± 0.2	
	X.XX ± 0.1	

ZWON



深圳市征华电子有限公司
Shenzhen ZWON Electronics Co.,Ltd.

SERIES: 4.2 Wafer/Dual Row/Straight

TYPICAL MODEL: 4.2 Wafer 双排 180度 Type3

Drawing No.	DRXXX-XX		
Scale	Revision	Sheet	
FIT	A	1 of 1	
ZWON P/N:			
Customer P/N:			