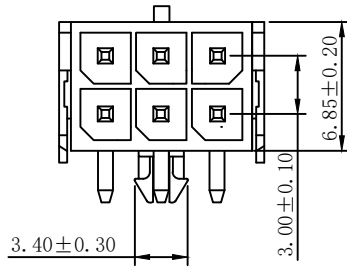
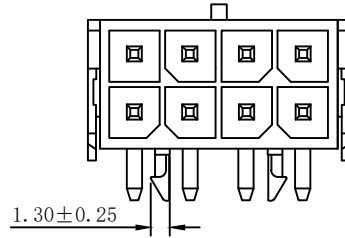


RoHS Compliant

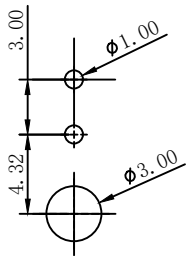
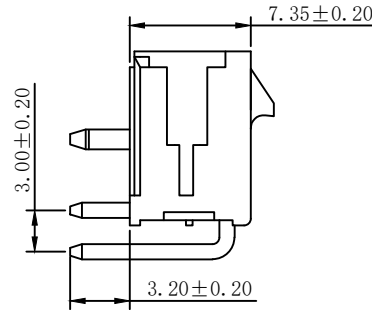
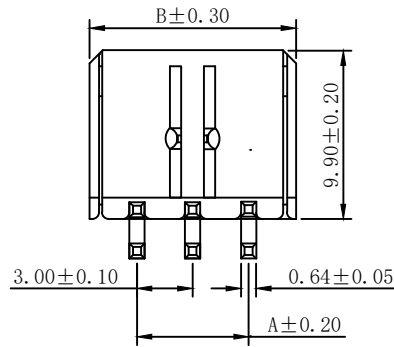
Rev.	change details	effective date	updated by	date
A	Initial release	2020.12.19	FHY	20.12.19



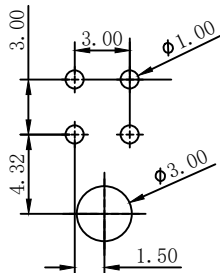
2*1-2*3P



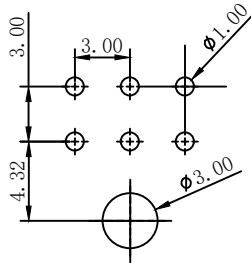
2*4-2*12P



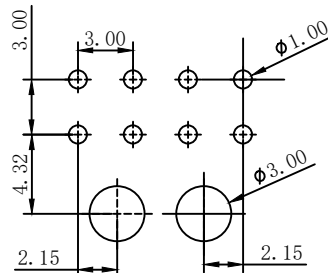
2*01P



2*02P



2*03P



2*04P-2*12P

P. C. B. LAYOUT

■ SPECIFICATIONS

- Voltage rating: 250V AC, DC
- Current rating: 5A, AC, DC
- Withstanding Voltage: 1500V AC/minute
- Insulation resistance: 1000MΩ min
- Temperature range: -25° C ~ +85° C
- Contact resistance: 10mΩ max

■ WAFER

- Part No. :
- Poles : 02-24P
- Material: Nylon 66 15%GF UL94V-0 Black
- Pin Material: Brass /Tin-plated

PART NO.	Dimensions (mm)	
	A	B
2*01	--	6.65
2*02	3.00	9.65
2*03	6.00	12.65
2*04	9.00	15.65
2*05	12.00	18.65
2*06	15.00	21.65
2*07	18.00	24.65
2*08	21.00	27.65
2*09	24.00	30.65
2*10	27.00	33.65
2*11	30.00	36.65
2*12	33.00	39.65

UNLESS OTHERWISE STATED		ORIGINALLY BY
DIMENSIONS IN mm		DRAWN: FHY
TOLERANCE:		CHECKED: FY
ANGLEAR ±1°	LINEAR	APPROVED: FY
	X 0.5	DATE: 2020.12.19
	X.X ±0.2	
	X.XX ±0.1	



深圳市征华电子有限公司
Shenzhen ZWON Electronics Co.,Ltd.

SERIES: 3.0 Wafer/Right Angle

TYPICAL MODEL: 3.00 Wafer 90度

Drawing No.	DRXXX-XX	
Scale	Revision	Sheet
FIT	A	1 of 1
ZWON P/N:		
Customer P/N:		