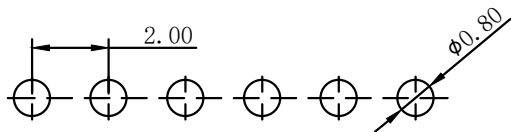
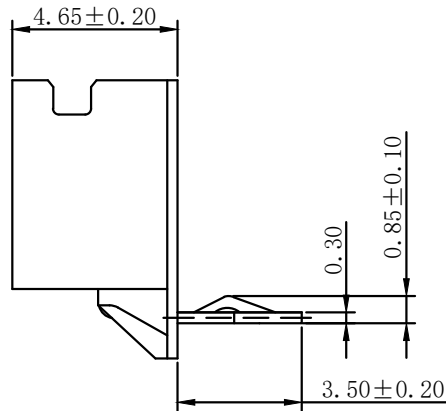
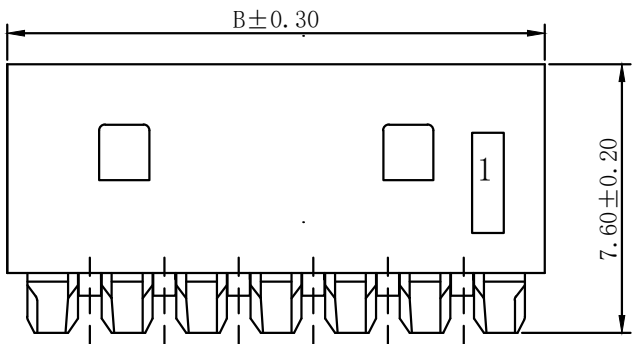
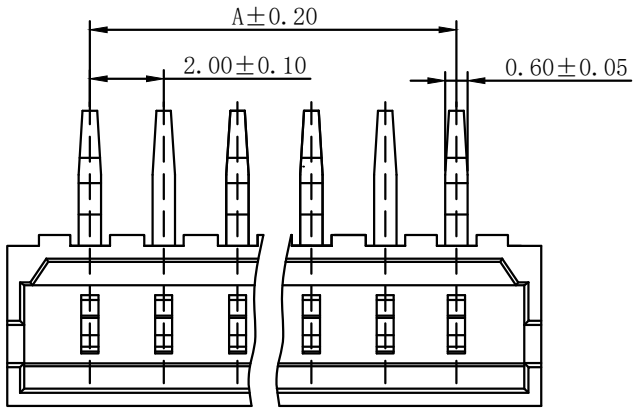


RoHS Compliant

Rev.	change details	effective date	updated by	date
A	Initial release	2020.12.19	FHY	20.12.19



P. C. B LAYOUT

■ SPECIFICATIONS

- Voltage rating: 125V AC, DC
- Current rating: 2A, AC, DC
- Withstanding Voltage: 800V AC/minute
- Insulation resistance: 1000MΩ min
- Temperature range: -25° C ~ +85° C
- Contact resistance: 20mΩ max

■ WAFER

- Part No. :
- Poles : 02-15
- Material: Nylon 66 UL94V-0
- Pin Material: Brass /Tin-plated

PART NO.	Dimensions (mm)	
	A	B
02	2.00	6.00
03	4.00	8.00
04	6.00	10.00
05	8.00	12.00
06	10.00	14.00
07	12.00	16.00
08	14.00	18.00
09	16.00	20.00
10	18.00	22.00
11	20.00	24.00
12	22.00	26.00
13	24.00	28.00
14	26.00	30.00
15	28.00	32.00

UNLESS OTHERWISE STATED DIMENSIONS IN mm TOLERANCE:	ORIGINALLY BY	ZWON
	DRAWN: FHY	
	CHECKED: FY	
	APPROVED: FY	
DATE: 2020.12.19		



深圳市征华电子有限公司
Shenzhen ZWON Electronics Co.,Ltd.
SERIES: 2.0 Wafer/Right Angle
TYPICAL MODEL: 2.0 Wafer 90度

Drawing No.	DRXXX-XX		
Scale	Revision	Sheet	
FIT	A	1 of 1	
ZWON P/N:			
Customer P/N:			