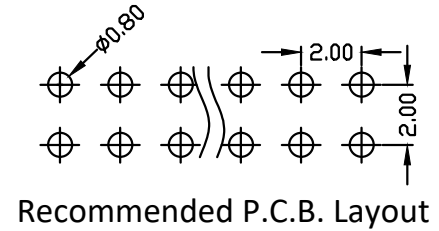
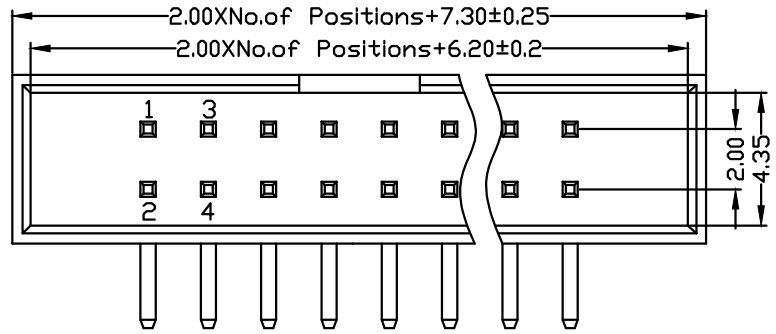


RoHS Compliant

Rev.	change details	effective date	updated by	date
A	Initial release	2020.12.19	FHY	20.12.19

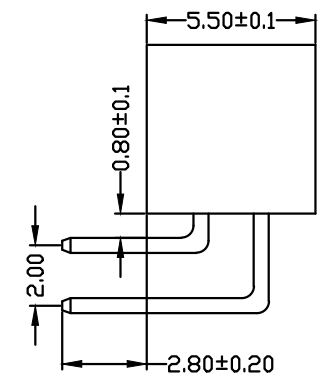
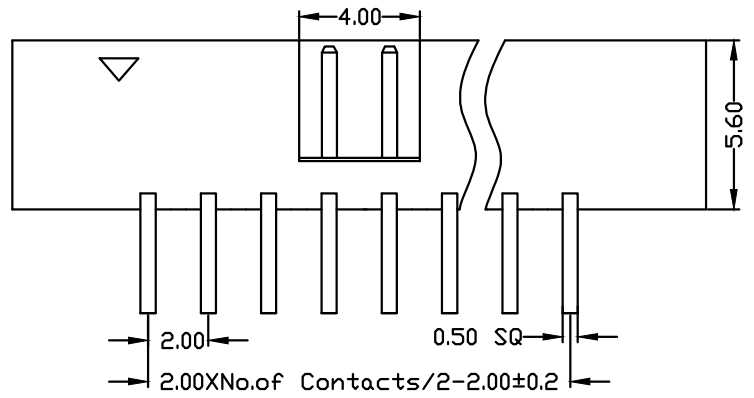


Std. Material
 Contact: Brass
 Contact Plating: 0.8u" Au over 30u" Ni Min.
 Insulator: PA6T(UL94V-0).
 Insulator Colour: Black

Temperature
 Operating Temp.: -40°C to 105°C
 Max. Processing Temp.: 260°C for 10s

Electronic Specifications
 Current Rating : 2 AMP
 Contact Resistance : 20mΩ Max.
 Insulation Resistance : 1000MΩ Min.
 Withstanding Voltage : AC 1000V for 60s

Packing : Tray or agree on _____



Ordering Information

No. of Pins	Contact Plating	Insulator Material
Rows*Pins 2 x 40	SN: Tin <input type="checkbox"/> G0: 0.8u" Gold <input type="checkbox"/> G1: 1u" Gold <input type="checkbox"/> G2: 1.5u" Gold <input type="checkbox"/> G3: 2u" Gold <input type="checkbox"/> G4: 3u" Gold <input type="checkbox"/> G5: ___u" Gold <input type="checkbox"/>	A: PBT <input type="checkbox"/> B: PA6T <input type="checkbox"/> C: PA9T <input type="checkbox"/> D: PA66 <input type="checkbox"/> E: PA46 <input type="checkbox"/> F: LCP <input type="checkbox"/> G: _____ <input type="checkbox"/>

Ordering Dimensions

A	B	C	D	H	W
PA	PB	PC	PD	PW	L

Remarks:

UNLESS OTHERWISE STATED
 DIMENSIONS IN mm
 TOLERANCE:

LINEAR	X 0.5	CHECKED: FY
ANGLEAR	X.X ±0.2	APPROVED: FY
	X.XX ±0.1	DATE:2020.12.19

ORIGINALLY BY
 DRAWN: FHY
 CHECKED: FY
 APPROVED: FY
 DATE:2020.12.19

ZWON
 扫描官网 发现更多

深圳市征华电子有限公司
 Shenzhen ZWON Electronics Co.,Ltd.

SERIES: BH2.0*5.6/Dual Row/Right Angle

TYPICAL MODEL: 2.0mm 筒牛 塑高5.6 90度

Drawing No.	DRXXX-XX	
Scale	Revision	Sheet
FIT	A	1 of 1
ZWON P/N:		
Customer P/N:		