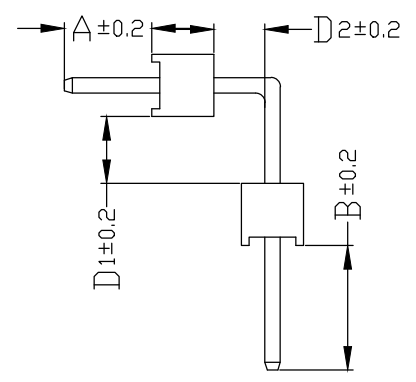
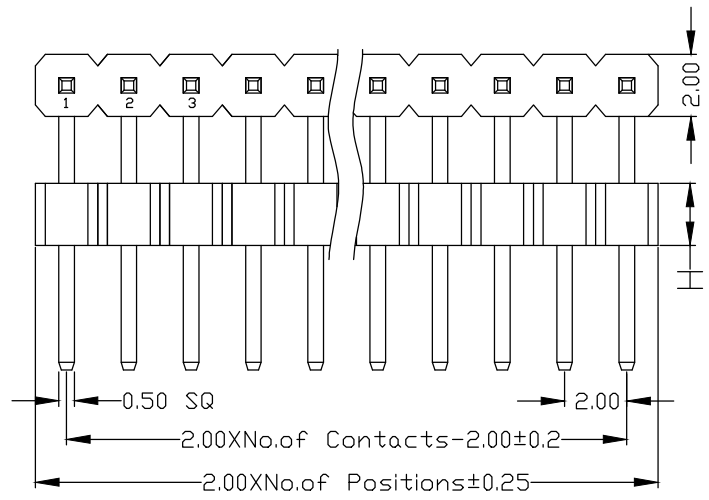
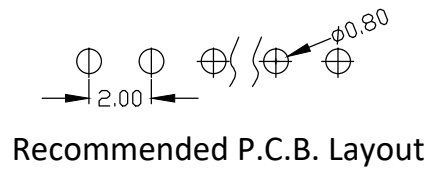
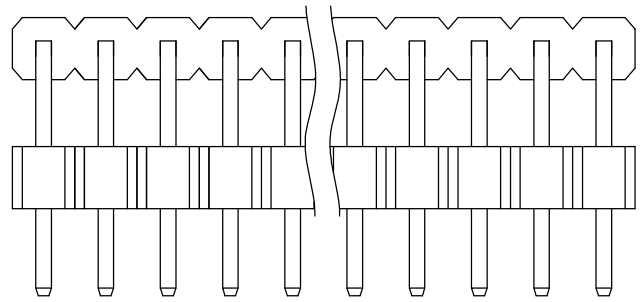


RoHS Compliant

Rev.	change details	effective date	updated by	date
A	Initial release	2020.12.19	FHY	20.12.19



**Std. Material**  
 Contact: Brass  
 Contact Plating: 0.8u" Au over 30u" Ni Min.  
 Insulator: PA6T(UL94V-0).  
 Insulator Colour: Black

**Temperature**  
 Operating Temp.: -40°C to 105°C  
 Max. Processing Temp.: 260°C for 10s

**Electronic Specifications**  
 Current Rating : 2 AMP  
 Contact Resistance : 20mΩ Max.  
 Insulation Resistance : 1000MΩ Min.  
 Withstanding Voltage : AC 500V for 60s  
 Packing : PE bag or agree on\_\_\_\_\_

**Ordering Information**

No. of Pins	Contact Plating	Insulator Material
Rows*Pins 1 x 40	SN: Tin <input type="checkbox"/> G0: 0.8u" Gold <input type="checkbox"/> G1: 1u" Gold <input type="checkbox"/> G2: 1.5u" Gold <input type="checkbox"/> G3: 2u" Gold <input type="checkbox"/> G4: 3u" Gold <input type="checkbox"/> G5: __u" Gold <input type="checkbox"/>	A: PBT <input type="checkbox"/> B: PA6T <input type="checkbox"/> C: PA9T <input type="checkbox"/> D: PA66 <input type="checkbox"/> E: PA46 <input type="checkbox"/> F: LCP <input type="checkbox"/> G: _____ <input type="checkbox"/>

**Ordering Dimensions**

A	B	C	D	H	W
PA	PB	PC	PD	PW	L

Remarks:

Dimension antitheses list

ITEM	A	B	H	D	C
Standard	2.8	2.8	4.0	1.0	1.5
Alternate					

UNLESS OTHERWISE STATED  
 DIMENSIONS IN mm  
 TOLERANCE:

LINEAR	X 0.5
ANGLEAR	X.X ±0.2
	X.XX ±0.1

ORIGINALLY BY  
 DRAWN: FHY  
 CHECKED: FY  
 APPROVED: FY  
 DATE:2020.12.19



**深圳市征华电子有限公司**  
 Shenzhen ZWON Electronics Co.,Ltd.  
 SERIES: PH2.0/Single Row/Right Angle  
 TYPICAL MODEL: 2.0mm 单排针 双塑 90度

Drawing No.	DRXXX-XX	
Scale	Revision	Sheet
FIT	A	1 of 1
ZWON P/N:		
Customer P/N:		